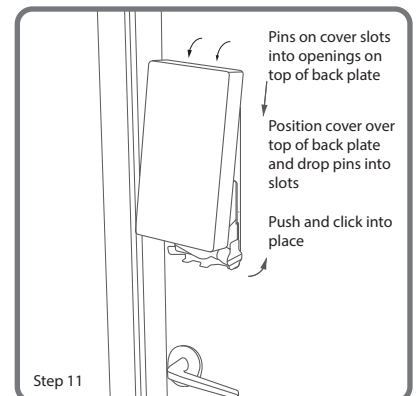
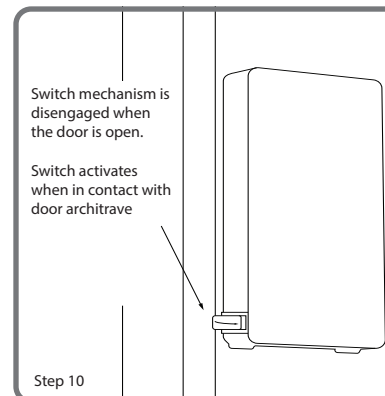
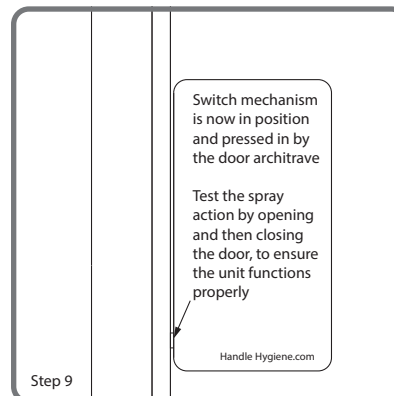
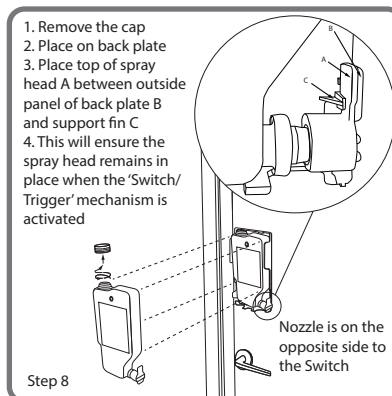
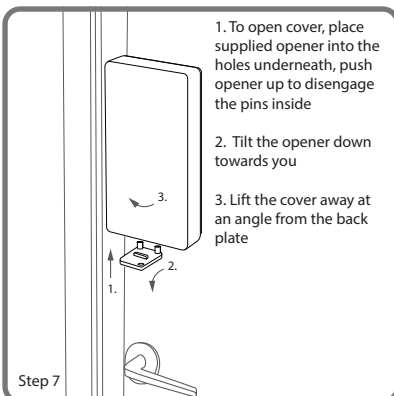
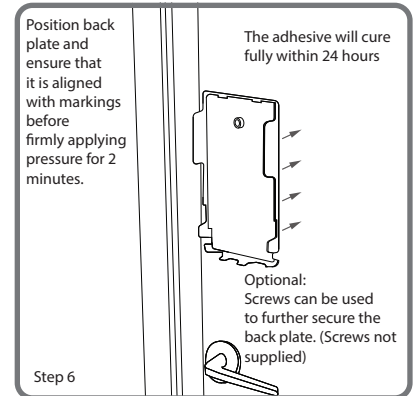
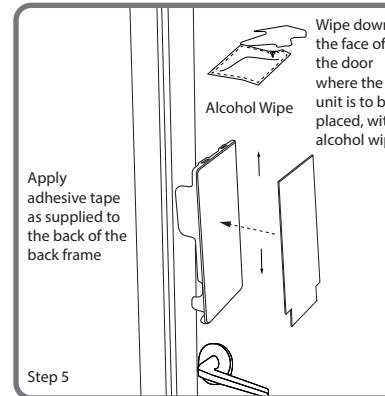
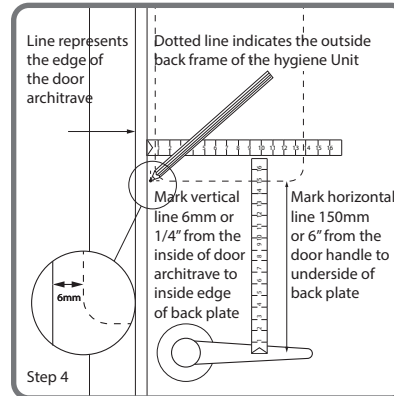
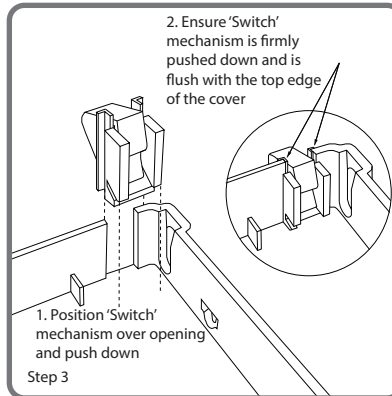
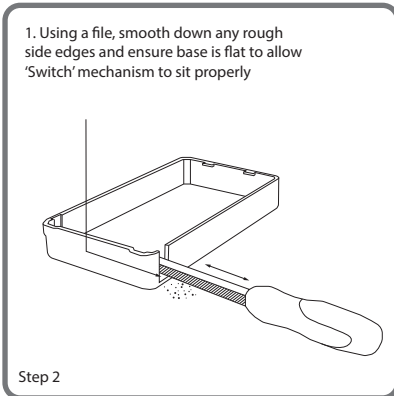
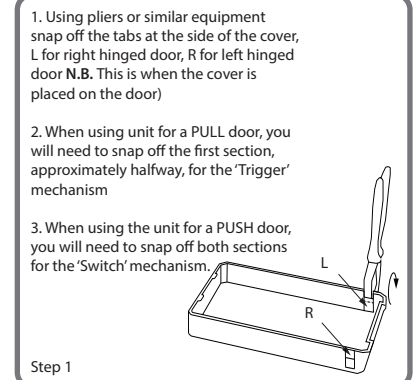
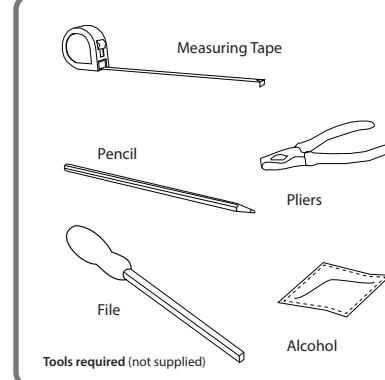
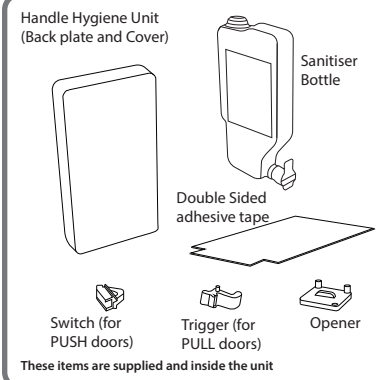
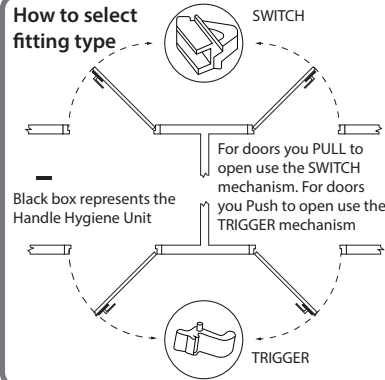


Instruction leaflet for Handle Hygiene Unit Switch Mechanism



Troubleshooting information

The cover is not fitting on correctly

- Check that the nozzle is clicked into place correctly as per the diagram on the opposite page.
- Check the trigger or switch is on the opposite side of the nozzle.
- Check to see the lid is off the cartridge.
- Check to see if nozzle is on the opposite side of to the trigger/ switch mechanism.
- Check to see if the the pins on the top of the cover are slotted into the slots on the back plate.

The device is not spraying

- Check to see the lid is off the cartridge.
- Prime the cartridge by pressing the nozzle a few times until it is spraying correctly.
- The door closer may need adjusting.
- Check to see if the cartridge is empty.
- If you are using the switch mechanism, check to see if the switch is hitting off the door closer.

The door is not closing properly

- The door closer may need adjusting.

How to Adjust a Door Closer

- The door closer is a mechanical device that closes a door in a controlled manner (see the diagram below). It is on the top of the door and has a body and an arm.
- On the door closer body look for the adjustment screw for the latch speed. It is usually labelled L or 2 or $15^\circ - 0^\circ$. The adjustment screw is usually on the hinge side of the door closer or hidden under a cover. If it is under a cover either slide the cover over or unfasten or unscrew it and pull it off.
- To speed up the latching speed turn the latch speed screw counter clockwise $1/8$ of a turn. To slow down the latching speed, turn the adjustment screw clockwise $1/8$ of a turn.
- Check if the door is closing correctly and the device is spraying.
- If it is, test it by opening and closing the door 6 more times.
- If not repeat above, adjust the screw $1/8$ of a turn each time.

Important:

If there is oil leaking from the closer body. Stop and replace the door closer

Do not completely unscrew the door closer's adjustment screws.

Tweak the adjustment screws in a maximum of $1/8$ of a turn increments.

